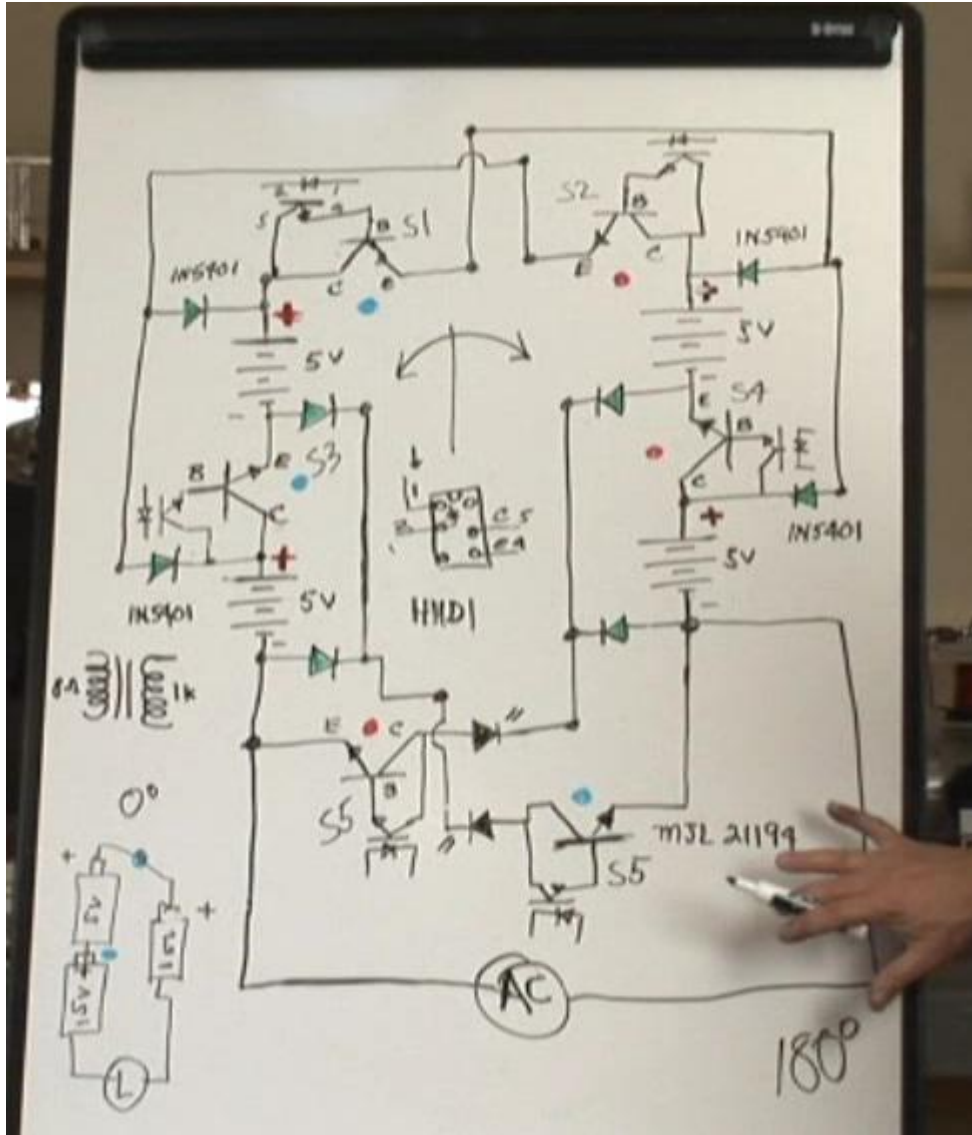


1. The switch is a double pole double throw switch. It is used to select the operating mode, one is in the bedini video, the other is the original Tesla switch principle, and both can run.
2. The resistance 680R is between 330R and 680R.
3. The capacitor 1000UF can be directly replaced with a wire.
4. Modify the value of the 2.2uf capacitor to adjust the frequency of the circuit. Increasing the capacitance value decreases the frequency, and vice versa, the frequency increases.
5. http://v.youku.com/v_show/id_XMTMzMDEzNTcwMA==.html?spm=a2hzip.8253869.0.0
6. http://v.youku.com/v_show/id_XMTMzMDQyODY5Ng==.html?spm=a2hzip.8253869.0.0
7. The video password is 654321.

- 1, 该开关为双刀双掷开关, 用于选择工作模式, 一个在贝迪尼视频中, 另一个是特斯拉特有的开关原理, 两者均可运行。
2. 电阻 680R 在 330R 和 680R 之间。
3. 电容器 1000UF 可以直接用导线代替。
4. 修改 2.2uf 电容的值, 可以调整电路的频率。增大电容值则频率变低, 反之则频率升高。



The two pictures above are from the EFTV video, and the two pictures below are the original schematics of Ron Brandt in 1984.上面两幅图片是 EFTV 视频中的,下面两个图片是 1984 年 Ron Brandt 的原始电路原理图。

TESLA SWITCH

SAME NUMBERS USED AS IN ORIGINAL

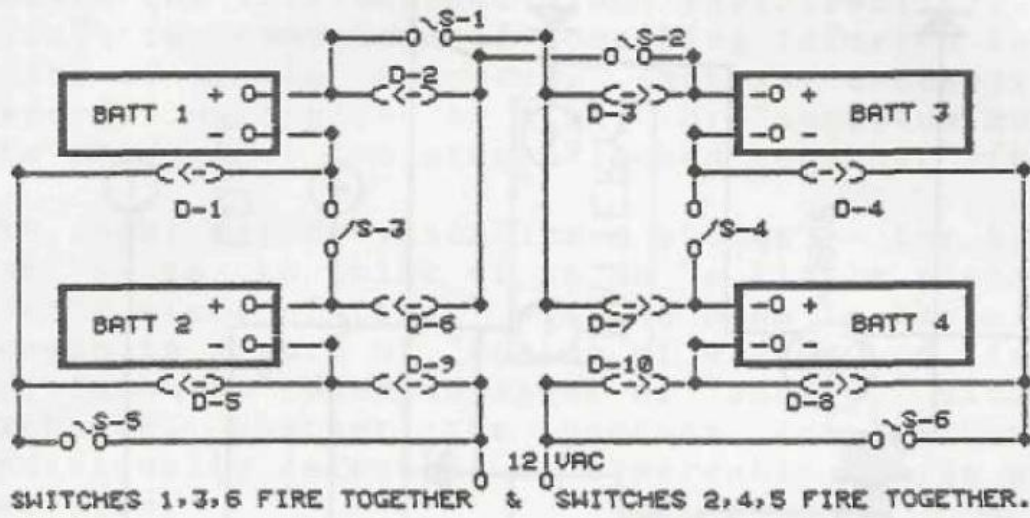


FIGURE T-5 Original Diagram of Mr. R. Brandt

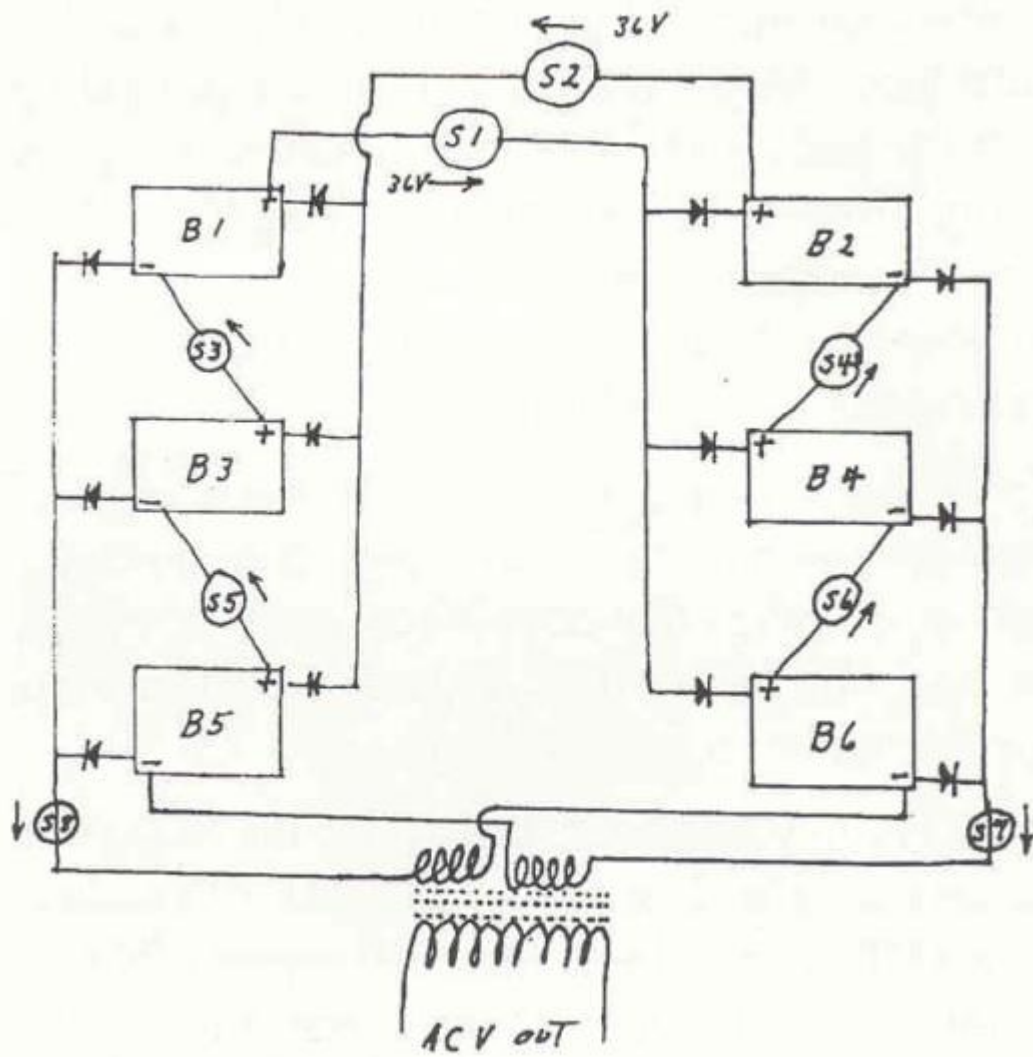


Figure 1. Brandt's 24-volt output resonant circuits.